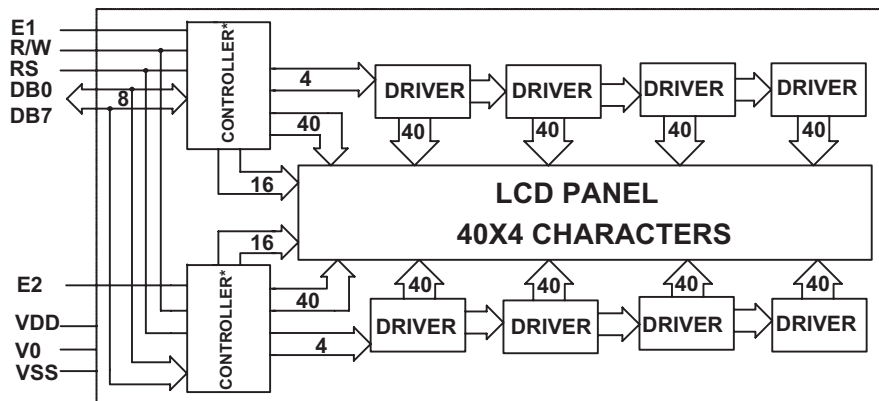
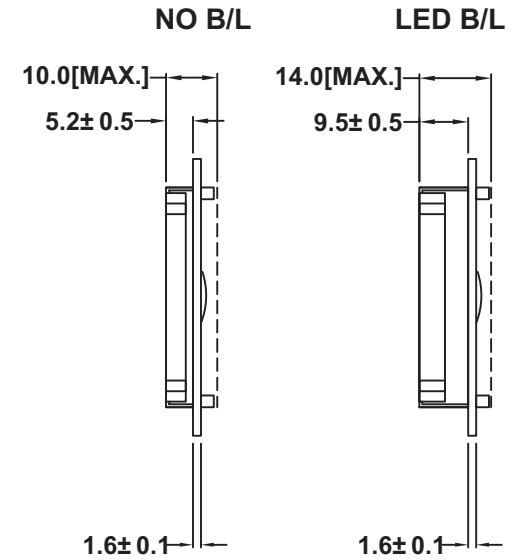
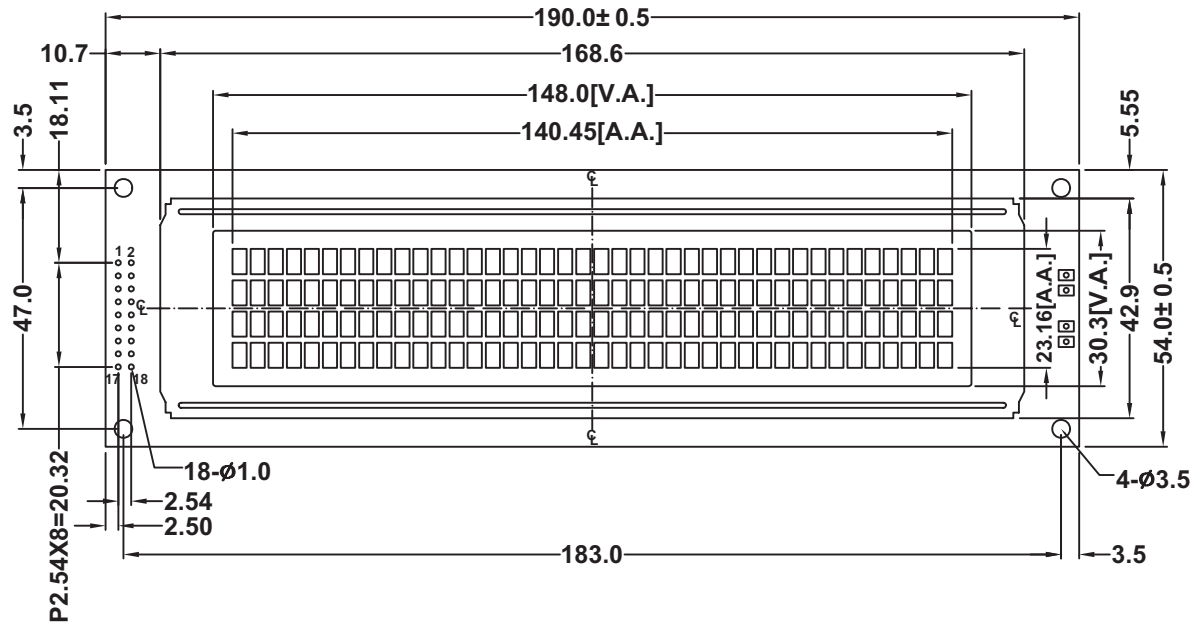
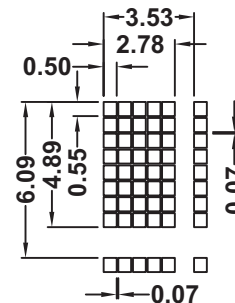


Unmarked tolerance ± 0.3



S6A0069 OR EQUIVALENT



Pin No	Symbol	Pin No	Symbol
1	DB7	10	R/W
2	DB6	11	RS
3	DB5	12	V0
4	DB4	13	VSS
5	DB3	14	VDD
6	DB2	15	E2
7	DB1	16	NC
8	DB0	17	A
9	E1	18	K