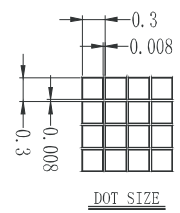
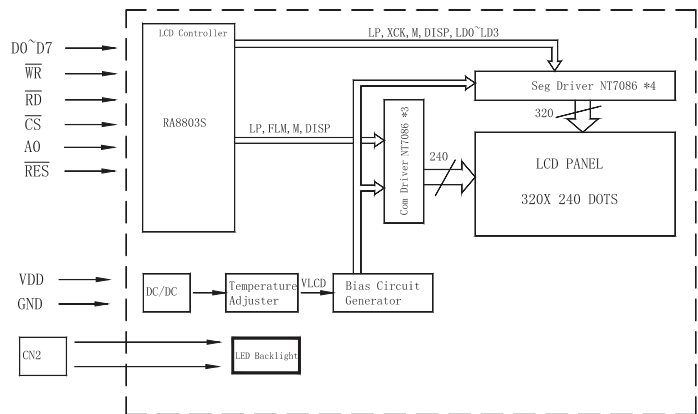
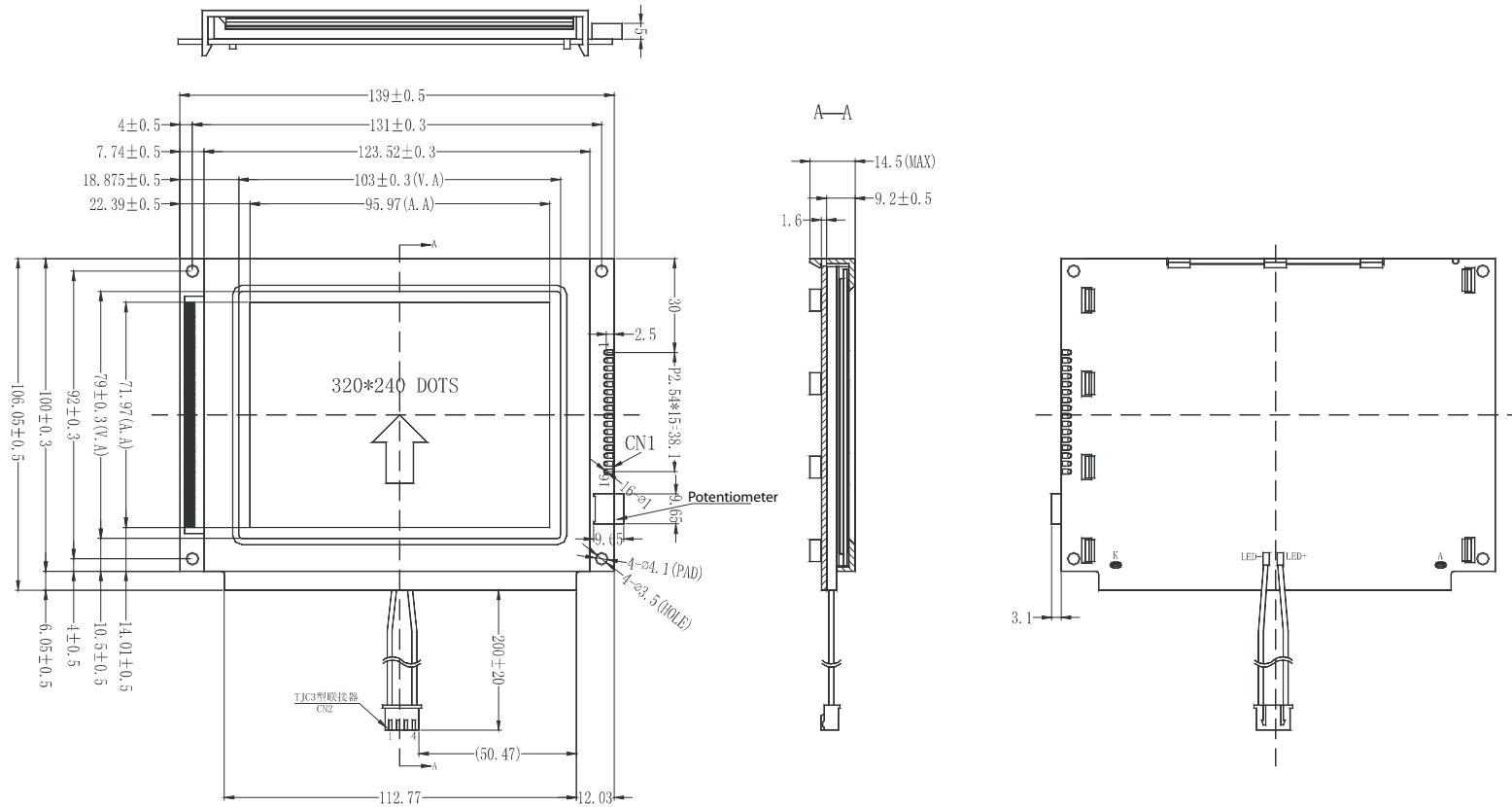
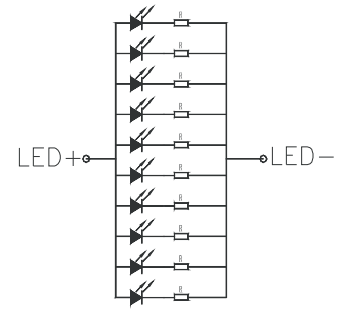


Unmarked tolerance ±0.3



LED Circuit Diagram:



CN1

1	2	3	4
LED+	NC	NC	LED-

Pin No	Symbol	Pin No	Symbol
1	GND	9	D0
2	VDD	10	D1
3	NC	11	D2
4	/WR	12	D3
5	/RD	13	D4
6	/CS	14	D5
7	A0	15	D6
8	/RES	16	D7