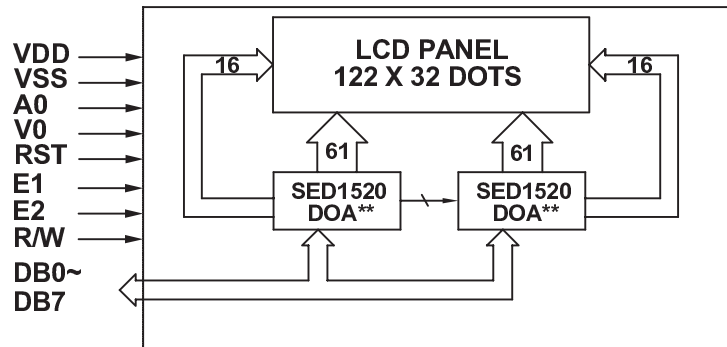
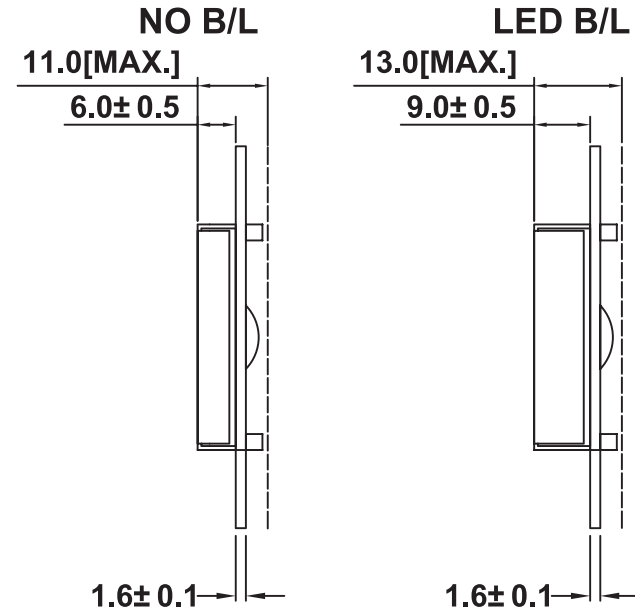
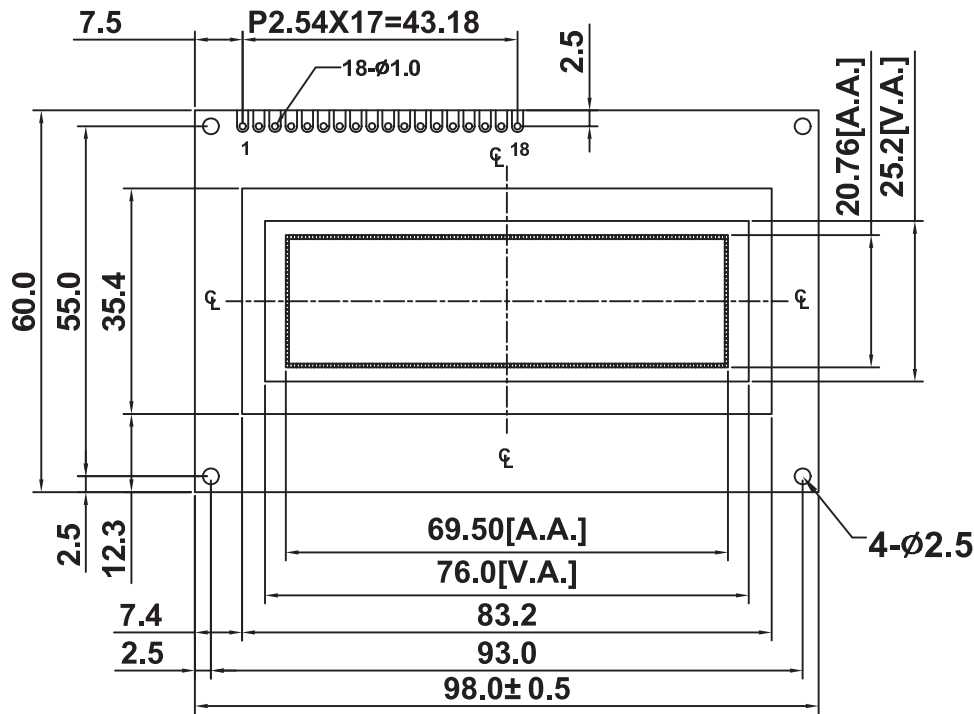
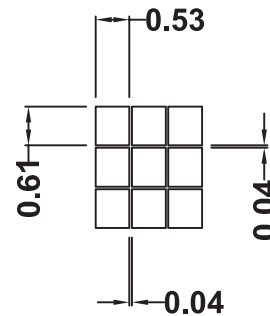


Unmarked tolerance ±0.3



\*\* OR EQUIVALENT



Pin No	Symbol	Pin No	Symbol
1	VSS	10	DB3
2	VDD	11	DB4
3	V0	12	DB5
4	A0	13	DB6
5	E1	14	DB7
6	E2	15	A
7	DB0	16	K
8	DB1	17	R/W
9	DB2	18	RST