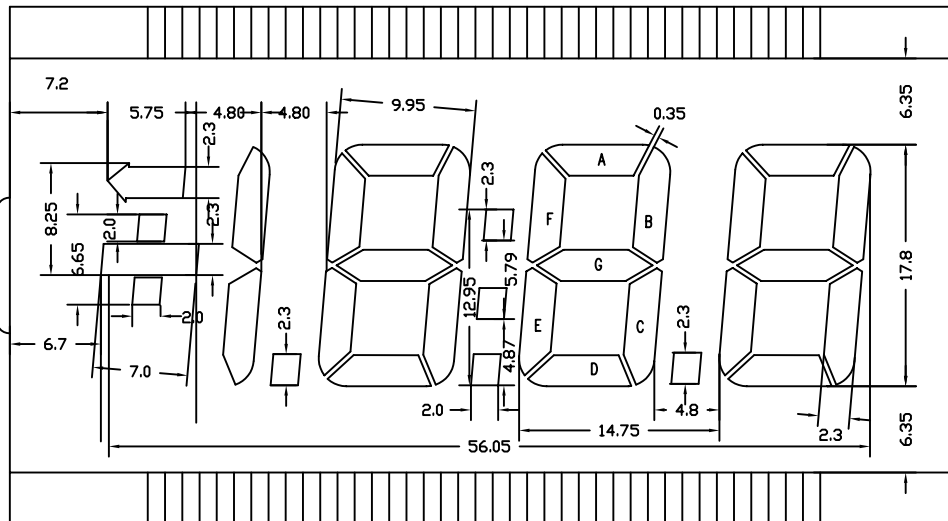


A=6.35±0.50 & A=7.36±0.50

PIN	1	2	3	4	5	6	7	8	9	10	11	12	13	14	15	16	17	18	19	20
COM1	COM1	m2	m1	/	/	/	/	/	2G	2F	2A	2B	L	3G	3F	3A	3B	4G	4F	4A
PIN	21	22	23	24	25	26	27	28	29	30	31	32	33	34	35	36	37	38	39	40
COM1	4B	4C	4D	4E	P3	3C	3D	3E	P2	2C	2D	2E	P1	/	/	/	/	1BC	M3	COM1



NOTES:

1. DISPLAY TYPE: TN
2. VIEWING DIRECTION: 6:00
3. POLARIZER MODE: POSITIVE/REFLECTIVE&TRANSFLECTIVE
4. DRIVER METHOD: STATIC
5. OPERATING VOLTAGE: 5.0 V
6. OPERATING TEMP: -30°C~80°C
7. STORAGE TEMP: -30°C~80°C
8. CONNECTOR: PIN