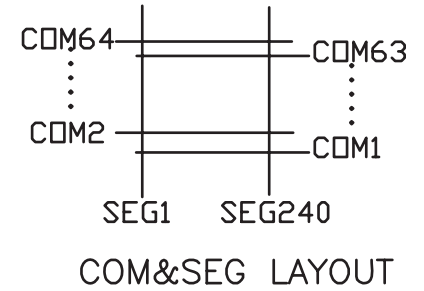
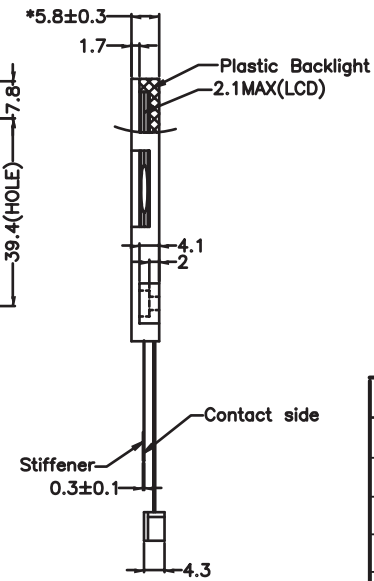
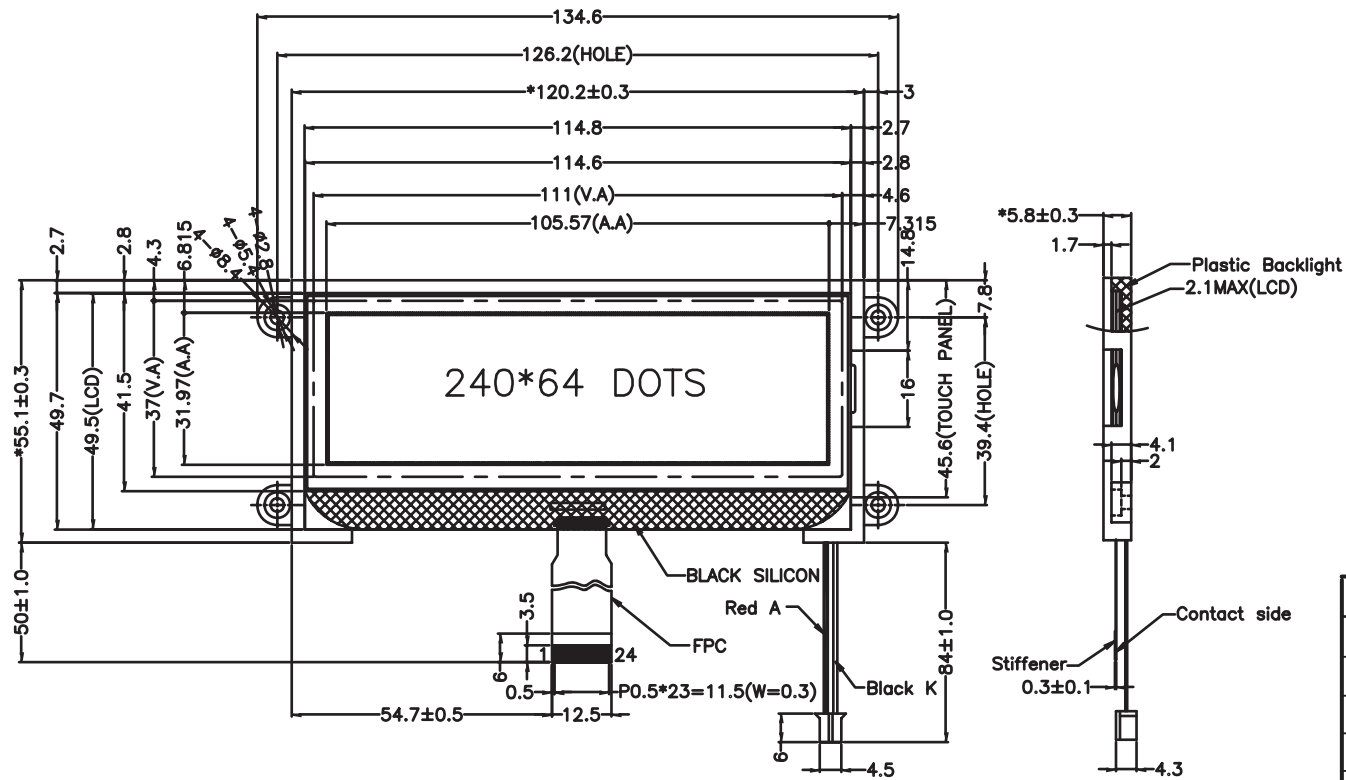
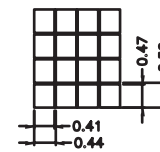


AMG240064P-G

Unmarked tolerance ±0.3



Pin No	Symbol	Pin No	Symbol
1	NC	13	DB4
2	VB1-	14	DB3
3	VB1+	15	DB2
4	VB0+	16	DB1
5	VB+	17	DB0
6	VLCD	18	RD(WR1)
7	VBIAS	19	WR
8	VSS	20	CD
9	VDD	21	RST
10	DB7	22	CS
11	DB6	23	BM0
12	DB5	24	BM1



DOTS DETAIL
SCALE:10/1