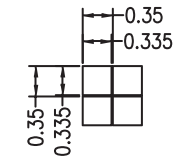
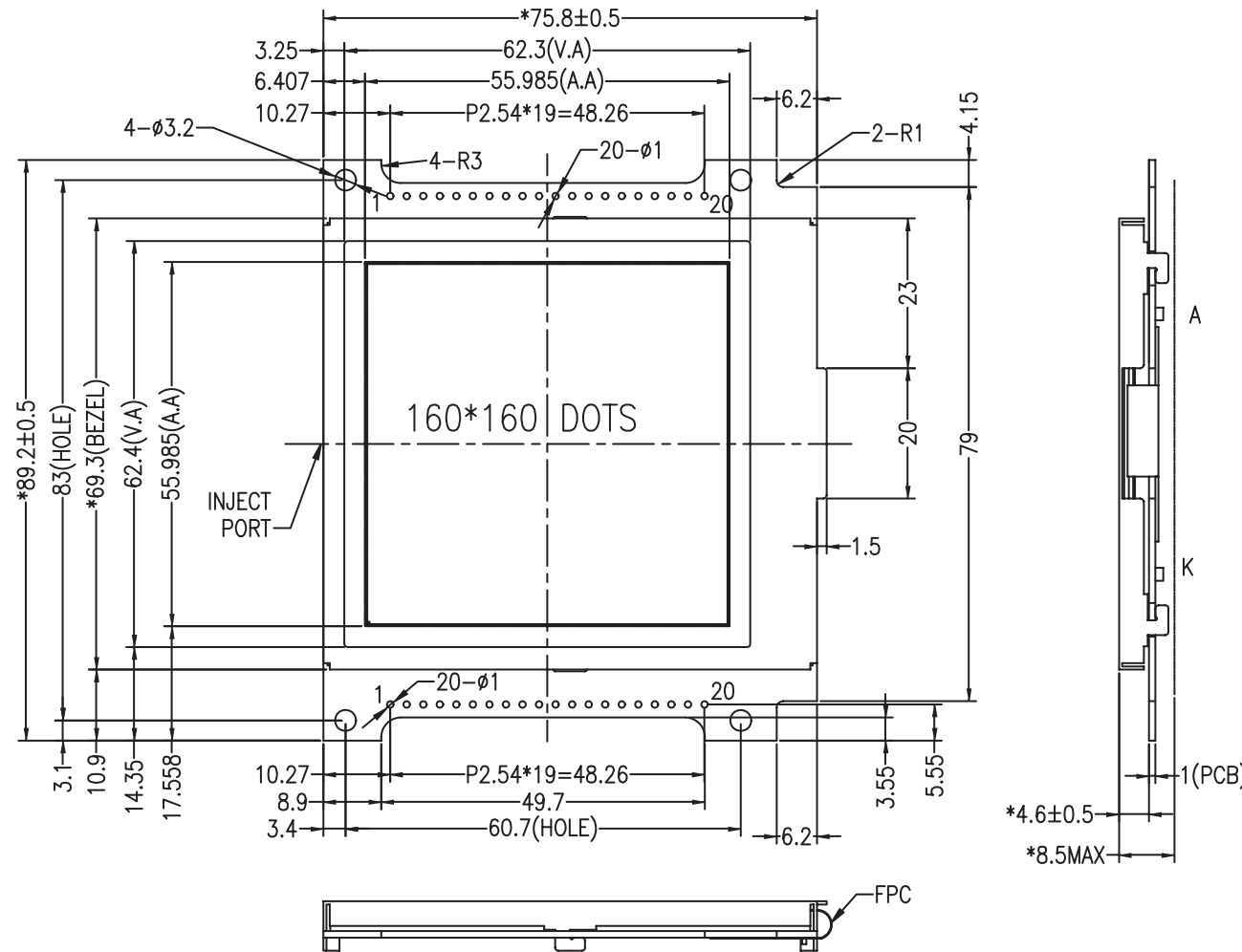
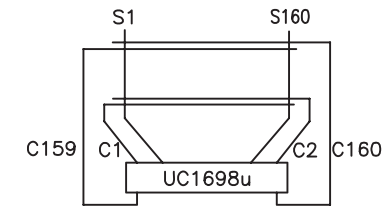


Unmarked tolerance ±0.3



DOTS DETAIL  
SCALE:15/1



COM&SEG LAYOUT

Pin No	Symbol	Pin No	Symbol
1	FGND	11	DB1
2	VSS	12	DB2
3	VDD	13	DB3
4	NC	14	DB4
5	/WR	15	DB5
6	/RD	16	DB6
7	/CE	17	DB7
8	C/D	18	NC
9	RESET	19	A
10	DB0	20	K