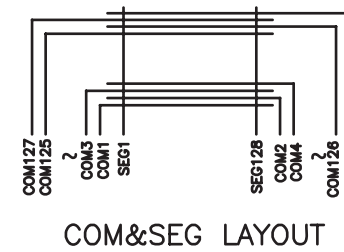
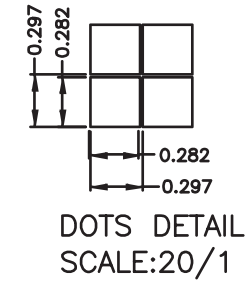
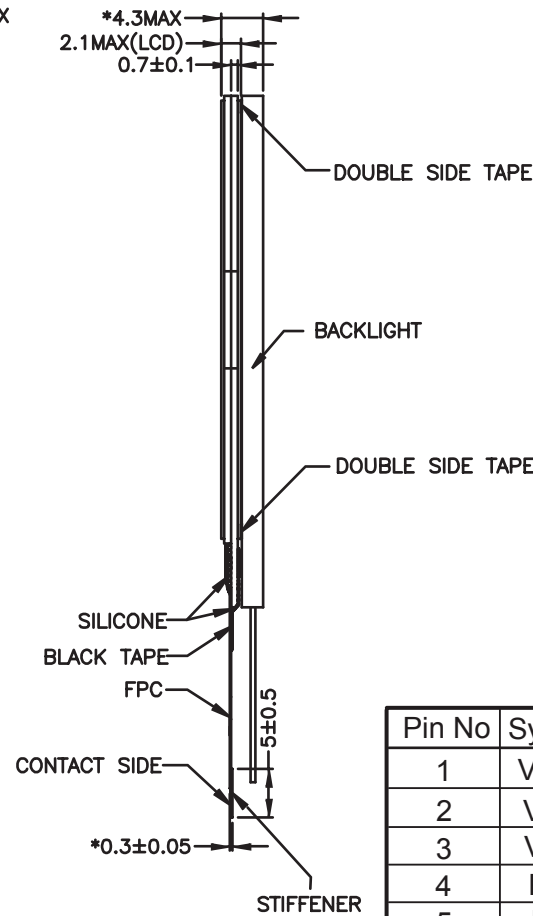
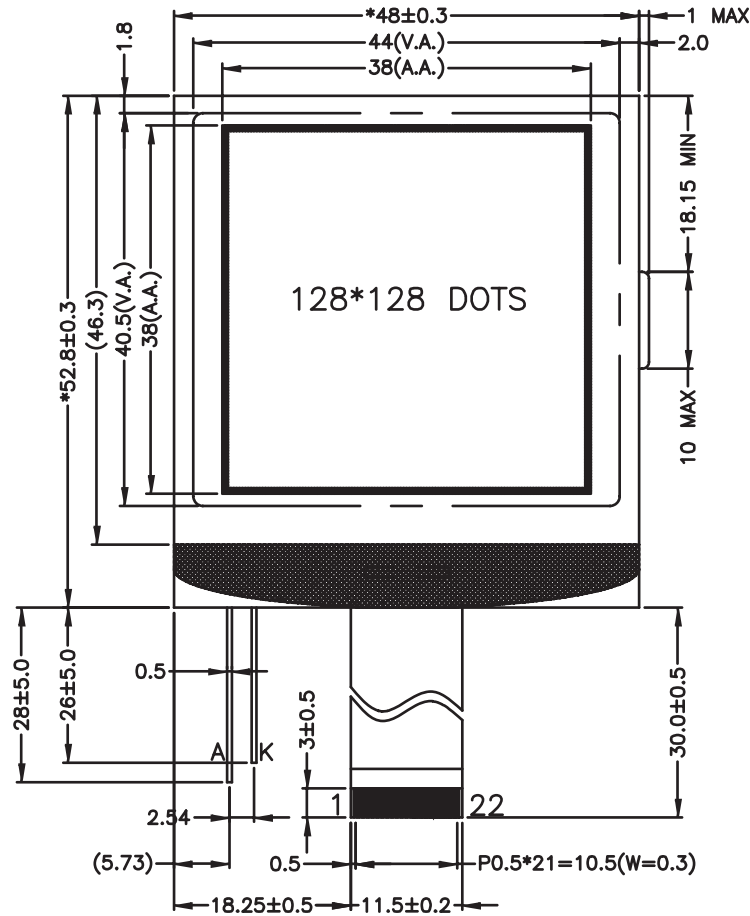


Unmarked tolerance ± 0.3



Pin No	Symbol	Pin No	Symbol	Pin No	Symbol
1	VLCD	9	VSS	17	D5
2	VB0+	10	WR1	18	D4
3	VB1+	11	WR0	19	D3
4	PS1	12	CD	20	D2
5	PS0	13	CS0	21	D1
6	VB1-	14	RESET	22	D0
7	VB0-	15	D7		
8	VDD	16	D6		