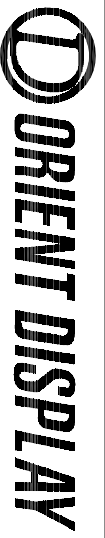


NOTES:

1. LCD type: FSTN
2. Display mode: Negative
3. Polarizer type: Reflective
4. Viewing Angle: 6:00
5. Connector: Pin
6. Drive voltage: 5.0V
7. Drive method: STATIC
8. Operating Temp: 0°C~50°C
9. Storage Temp: -20°C~70°C



PART NUMBER:

JAZZ-EG-TRW

DATE:

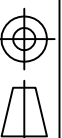
2013/08/21

NO. REVISION

1 INITIAL VERSION

DATE

2013/08/21

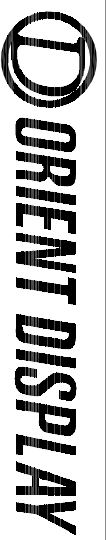
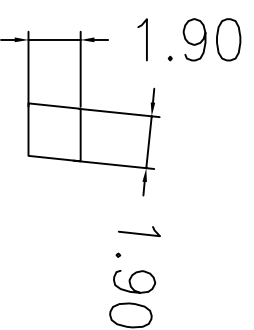
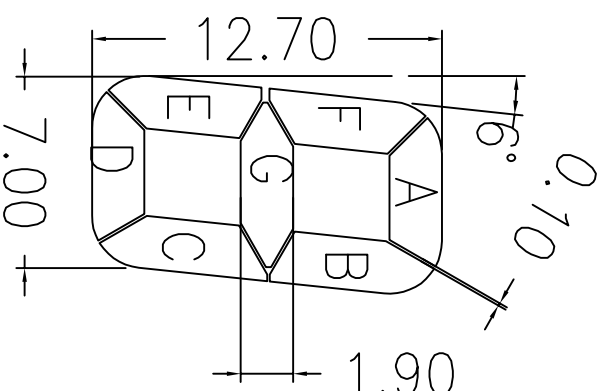


SCALE: NTS

UNITS: mm

SHEET 1 OF 2

PIN	SEGG	PIN	SEGG	PIN	SEGG	PIN	SEGG
1	BP	11	2C	21	4A	31	2F
2	TX	12	DP2	22	4F	32	2G
3	IBC	13	3E	23	4G	33	
4		14	3D	24	3B	34	
5		15	3C	25	3A	35	
6		16	DP3	26	3F	36	
7		17	4E	27	3G	37	
8	DP1	18	4D	28	COL	38	LO BAT
9	2E	19	4C	29	2B	39	TY
10	2D	20	4B	30	2A	40	BP



PART NUMBER:

JAZZ-EG-TRW

DATE:

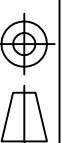
2013/08/21

NO. REVISION

1 INITIAL VERSION

DATE

2013/08/21



SCALE: NTS

UNITS: mm

SHEET 2 OF 2