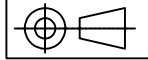


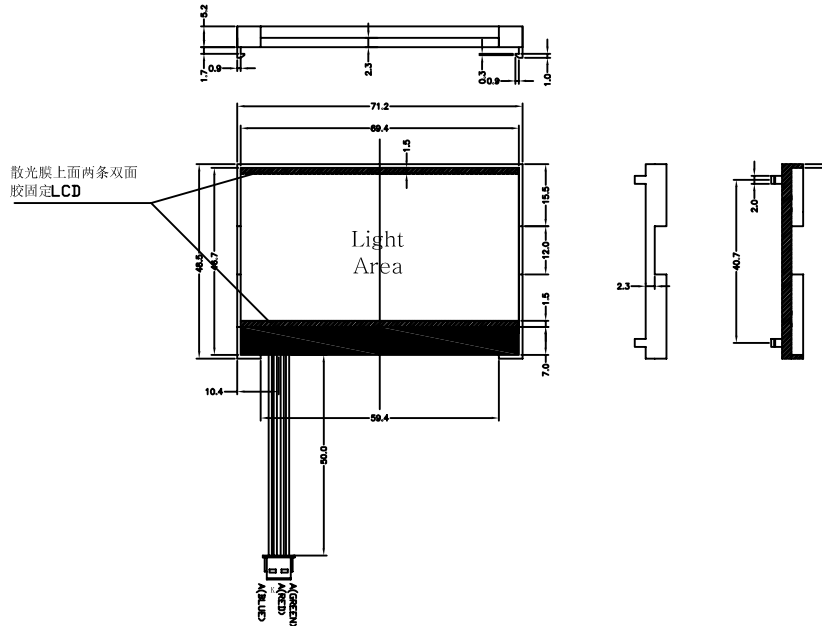
1. 结构尺寸 MECHANICAL OUTLINE

COLOR : BLUE.GREEN.RED

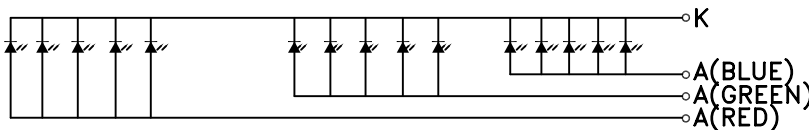


(未注尺寸公差 Unspecified Tolerances is ± 0.2)

颜色 : 七彩



2. 电路图 CIRCUIT DIAGRAM (LED 3X5=15 dies)



3. 保存和焊接条件 STORAGE & SOLDERING CONDITIONS:

- Store with care. Storing the units in bad condition will cause the reflector sheet and decrease its adhesive power. Storage The products under the condition: temperature ($25^{\circ}\text{C} \pm 10^{\circ}\text{C}$) and humidity ($65\% \text{RH} \pm 20\% \text{RH}$) our recommendation.
 - The Soldering Temperature is $300 \pm 5^{\circ}\text{C}$ and Soldering Time should be less than 3 sec, and soldering iron power should be less than 30W.
 - The soldering point should be farther than 1.6mm ($1/10''$) from body .
 - The product is sensitive to static electricity, So it's necessary to take proper steps when storing and soldering.
- 注意保存, 保存条件不好时, 会降低反光膜(扩散膜)导光片(反射壳)的精附力。
推荐保存条件: 温度 $25^{\circ}\text{C} \pm 10^{\circ}\text{C}$
湿度 $65\% \text{RH} \pm 20\% \text{RH}$
 - 焊接温度 $300^{\circ}\text{C} \pm 5^{\circ}\text{C}$, 焊接时间小于3秒
烙铁功率小于 30W.
 - 焊接点应离焊接实体大于1.6mm.
 - 产品对静电敏感, 保存及焊接时必须有防静电措施.

| | | | | | | |
|------------------------|-----------|---------|---------------|-----------------|--|--------------------|
| | | | | | | DESIGN: 设计 ZCK |
| | | | | | | CHECKED: 检查 |
| ISSUE | AMENDMENT | DATE | | | | COUNTERSIGN: 会签 |
| DRAWING NO.: JAZZ-AE-S | | REV: A0 | SHEET: 1 OF 2 | DATE: 2009.7.30 | | APPROVED: 批准 |



4. 极限参数 ABSOLUTE MAXIMUM RATINGS (SINGLE LED)

(除非特别说明, 环境温度 $T_a=25^{\circ}\text{C}$. Unless specified, The Ambient temperature $T_a=25^{\circ}\text{C}$)

| 项目 Item | 符号 Symbol | 条件 Conditions | 值 Rating | 单位 Unit |
|--|--------------|---|-------------|------------|
| * 极限直流正向电流 Absolute maximum forward current | Ifm | | 25 | mA |
| * 脉冲驱动时极限正向电流 Peak forward current | Ifp | 1 msec 脉冲, 1/10 占空比 1 msec Plus 10% Duty Cycle | 60 | mA |
| 反向电压 Reverse Voltage | Vr | | 5 | V |
| * 极限功耗 Power dissipation | Pd | | 50 | mW |
| 工作温度 Operating Temperature Range | Topr | | -30~+70°C | °C |
| 贮存温度 Storage Temperature Range | Tstg | | -40~+80°C | °C |

* 当工作温度高于 25°C 时, Ifm, Ifp 和 Pd 必须降低; 电流降低率是 $-0.36 \text{ mA}/^{\circ}\text{C}$ (直流驱动), 或 $-0.86 \text{ mA}/^{\circ}\text{C}$ (脉冲驱动), 功率降低率是 $-0.75 \text{ mW}/^{\circ}\text{C}$. 产品工作电流不能大于对应的工作条件温度 Ifm 或 Ifp 的 60 %.

For operation above 25°C , The Ifm Ifp & Pd must be derated, the Current derating is $-0.36 \text{ mA}/^{\circ}\text{C}$ for DC drive and $-0.86 \text{ mA}/^{\circ}\text{C}$ for Pulse drive, the Power dissipation is $-0.75 \text{ mW}/^{\circ}\text{C}$. The product working current must not more than the 60 % of the Ifm or Ifp according to the working temperature.

5. 电光特性 ELECTRICAL-OPTICAL CHARACTERISTICS

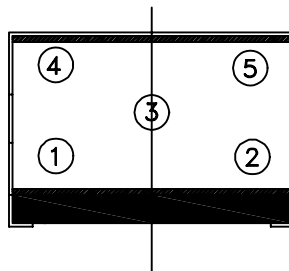
(除非特别说明, 环境温度 $T_a=25^{\circ}\text{C}$. Unless specified, The Ambient temperature $T_a=25^{\circ}\text{C}$)

| 项目 Item | 符号 Symbol | 典型值 typ.(red) | 典型值 typ.(green) | 典型值 typ.(blue) | 单位 Unit | 测定条件 Condition |
|-------------------------------------|-----------------|------------------|--------------------|-------------------|------------------------|--|
| 正向电压 Forward Voltage \triangle | Vf | 1.9-2.1 | 2.8-3.2 | 2.7-3.1 | V | If(R)=10X5=50 mA If(G.B)=15X5=75 mA |
| 反向电流 Reverse Current | Ir | 10 | | | μA | Vr= 5 V |
| 峰值波长 Peak wave length | λ_p | 620-625 | 520-525 | 465-470 | nm | If(R)=10X5=50 mA If(G.B)=15X5=75 mA |
| 频谱半宽度 Spectral Line Half width | $\Delta\lambda$ | 35 | 20 | 20 | nm | If(R)=10X5=50 mA If(G.B)=15X5=75 mA |
| * 亮度 Luminance | Lv | 100-120 | 300-350 | 70-80 | cd/m^2 | If(R)=10X5=50 mA If(G.B)=15X5=75 mA |

* 亮度值是5个测量点的平均值, 亮度最大值比最小值一般小于等于1.3. 使用 ST-86LA 亮度计测量, 测量光圈 $\phi 5 \text{ mm}$.

The luminance is the average value of 5 points, and, The $L_{v\text{max.}}/L_{v\text{min.}}$ is 1.3 max.

The measurement instrument is ST-86LA luminance Colorimeter. The caperture is $\phi 5 \text{ mm}$.



| | |
|--------------|--------|
| DESIGN: | 设计 ZCK |
| CHECKED: | 检查 |
| COUNTERSIGN: | 会签 |
| APPROVED: | 批准 |