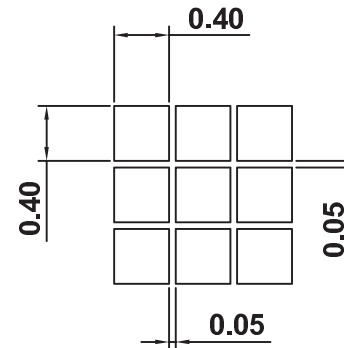
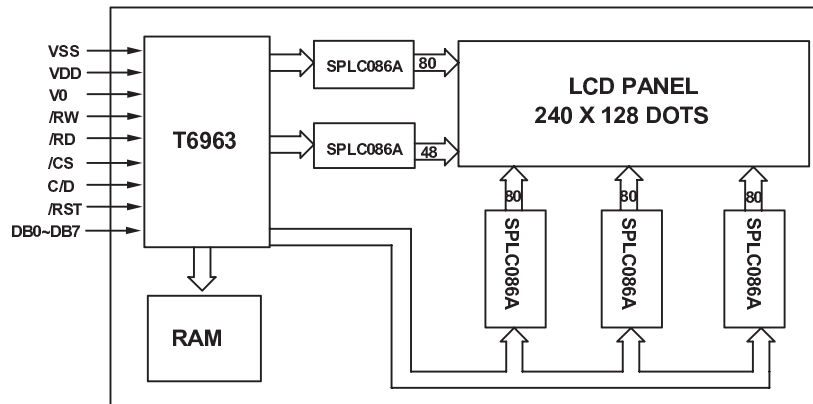
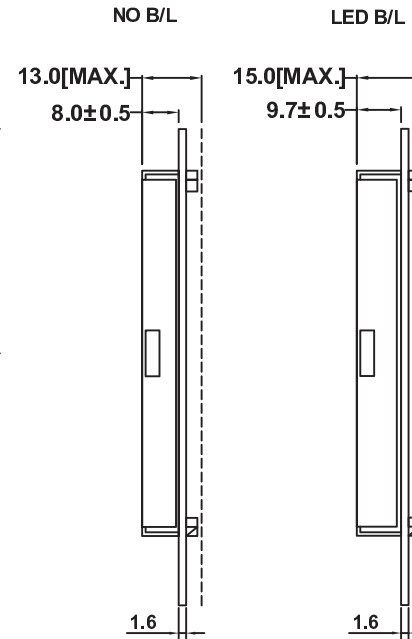
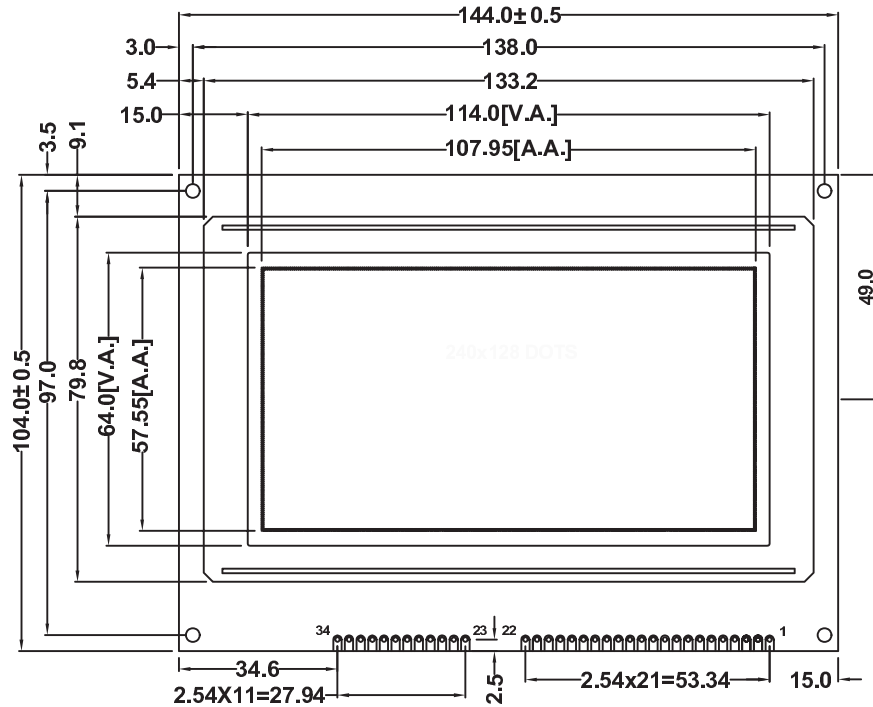


Unmarked tolerance ±0.3



Pin No	Symbol	Pin No	Symbol
1	FGND	18	DB7
2	VSS	19	FS
3	VDD	20	VEE
4	V0	21	A
5	/WR	22	K
6	/RD	23	ED
7	/CS	24	CDATA
8	C/D	25	M
9	NC	26	LP
10	/RST	27	HSCP
11	DB0	28	NC
12	DB1	29	VDD
13	DB2	30	VSS
14	DB3	31	V0
15	DB4	32	VEE
16	DB5	33	A
17	DB6	34	K

** OR EQUIVALENT