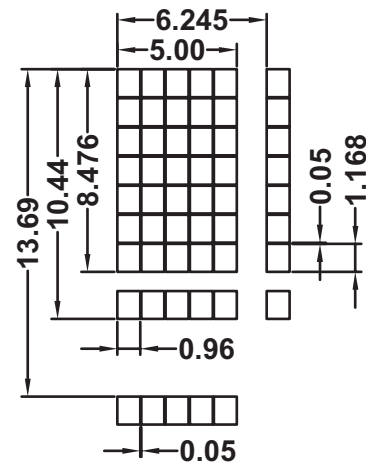
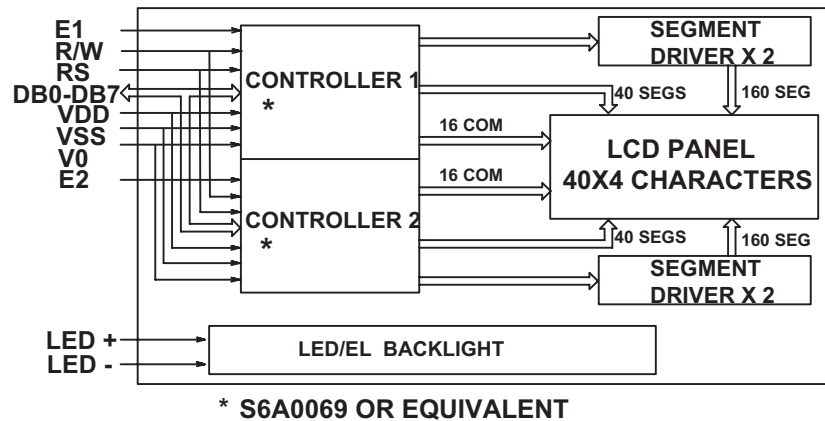
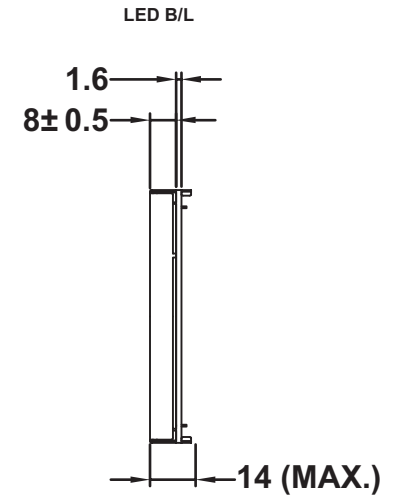
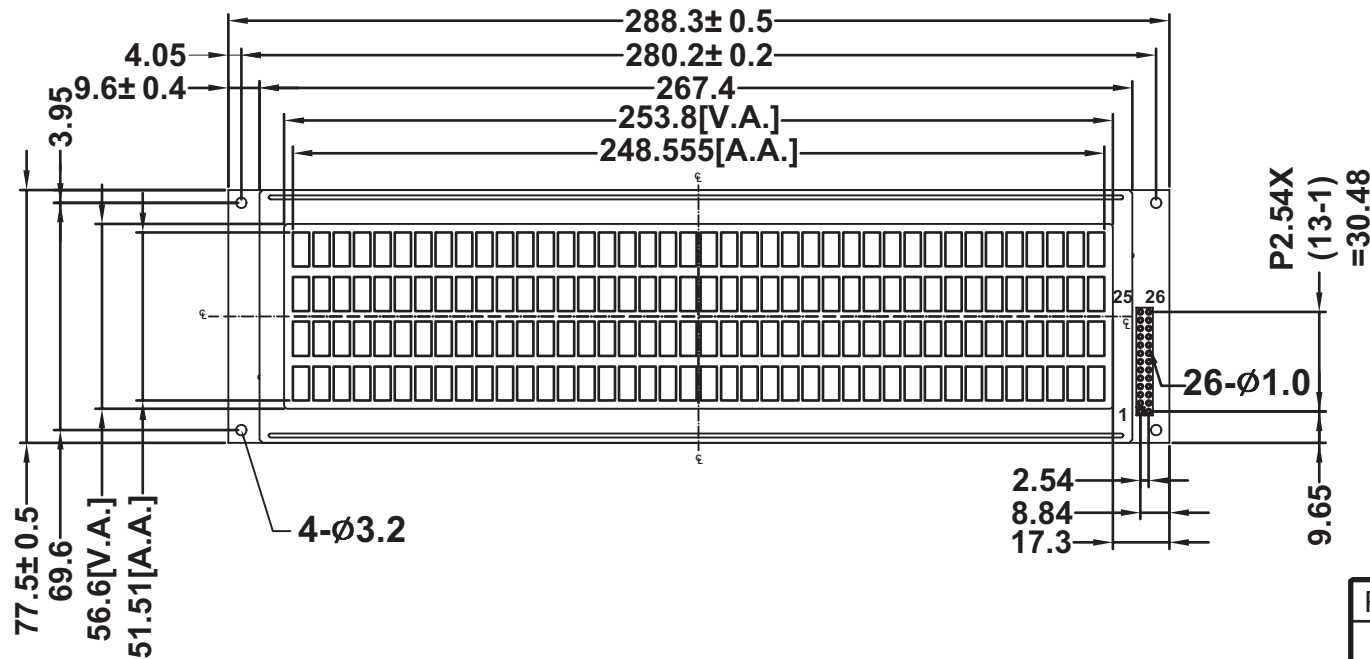


Unmarked tolerance ±0.3



Pin No	Symbol	Pin No	Symbol
1	NC	14	VSS
2	NC	15	DB2
3	E2	16	VSS
4	NC	17	DB3
5	R/W	18	VSS
6	NC	19	DB4
7	RS	20	K
8	VSS	21	DB5
9	E1	22	VDD
10	VSS	23	DB6
11	DB0	24	VDD
12	VSS	25	DB7
13	DB1	26	A